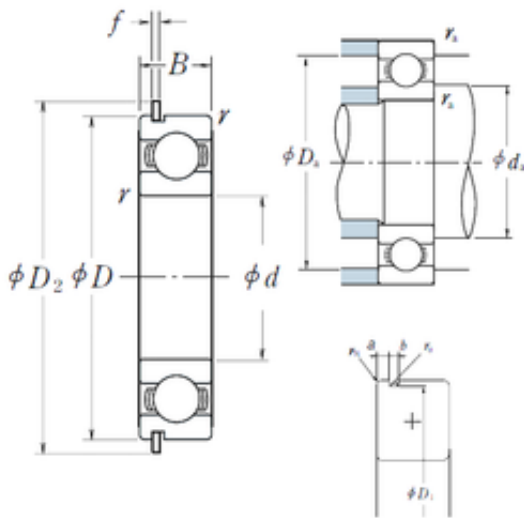




# INA BRAINGS SALES JAPAN CO.,LTD.



140 mm x 190 mm x 24 mm NSK 6928NR deep groove ball bearings

Bearing No. 6928NR

6928NR Bearing 2D drawings and 3D CAD models

Size	140x190x24 mm
Bore Diameter	140 mm
Outer Diameter	190 mm
Width	24 mm
d	140 mm
D	190 mm
B	24 mm
C	24 mm
rn	0,5 mm
a	3,7 mm
b	1,9 mm
f	1,7 mm
r min.	1,5 mm
r0 max.	0,6 mm
D1	186,8 mm
D2	196,5 mm
da min.	148 mm
da max	153,5 mm
Da max.	182 mm
ra max.	1,5 mm
Weight	1,67 Kg
Basic dynamic load rating (C)	66,5 kN
Basic static load rating (C0)	72 kN
(Grease) Lubrication Speed	3 200 r/min
(Oil) Lubrication Speed	3 800 r/min



## INA BRAINGS SALES JAPAN CO.,LTD.

SRI	7.8
hidYobi	6928NR
LangID	1
ro	0.6
D_	190
SREX	0.03
B_	24
da min	148
hidTable	ecat_NS RDGB
Oil rpm	3800
SRE	7.8
Cy	5.1
mass	1.67
GRS rpm	3200
ra	1.5
SRIX	0.03
D_a	182
SRIN	-0.03
C0	72
fo	16.6
SREN	-0.03
DE_	180.081
Prod_Type3	DGBB_SR_NR_OT
DA_	15.081
bomp	0
Z_	19
yobi	6928NR
Dx	198
C_conv	66500
ALPHA_	0
SDM_	165
r	1.5



## INA BRAINGS SALES JAPAN CO.,LTD.

KBRG	6101
SBRG	19
DI_	149.919