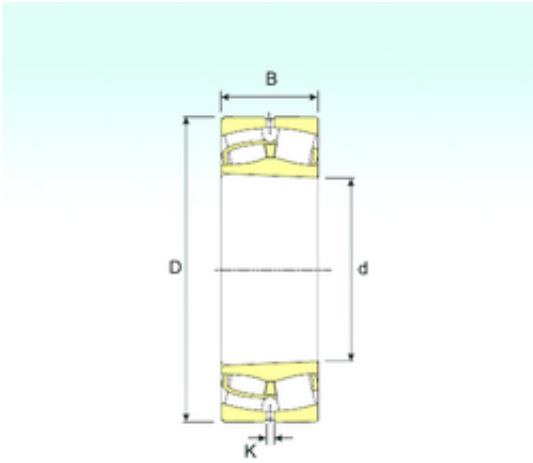




INA BRAINGS SALES JAPAN CO.,LTD.



21318 K Bearing 2D drawings and 3D CAD models

90 mm x 190 mm x 43 mm ISB 21318 K
spherical roller bearings

Bearing No. 21318 K

Size	90x190x43 mm
Bore Diameter	90 mm
Outer Diameter	190 mm
Width	43 mm
d	90 mm
D	190 mm
B	43 mm
C	43 mm
K	4,5 mm
Weight	6,1 Kg
Basic dynamic load rating (C)	372 kN
Basic static load rating (C0)	441 kN
(Grease) Lubrication Speed	3672 r/min