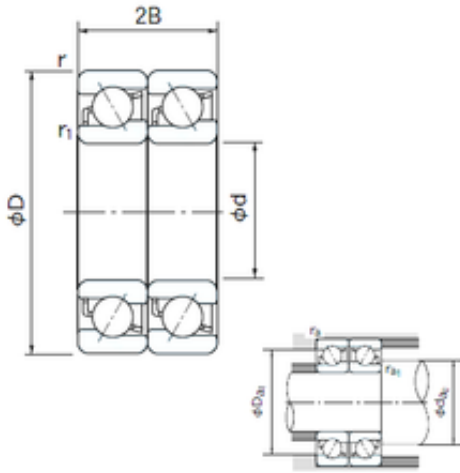




INA BRAINGS SALES JAPAN CO.,LTD.



7318BDT Bearing 2D drawings and 3D CAD models

90 mm x 190 mm x 43 mm NACHI 7318BDT
angular contact ball bearings

Bearing No. 7318BDT

Size	90x190x43 mm
Bore Diameter	90 mm
Outer Diameter	190 mm
Width	43 mm
d	90 mm
D	190 mm
B	43 mm
C	43 mm
Angle (°)	40 °
a	37.3 mm
r min.	3 mm
r1 min.	1.1 mm
2B	86 mm
da min.	97 mm
Da max.	183 mm
ra max.	1 mm
Weight	5.76 Kg
Basic dynamic load rating (C)	262 kN
Basic static load rating (C0)	278 kN
(Grease) Lubrication Speed	2300 r/min
Bore Type	Cylindrical Bore
Enclosure	Open
Configuration	Duplex
Bore Size	90 mm
Outside Diameter	190 mm



INA BRAINGS SALES JAPAN CO.,LTD.

Width	43 mm
Fillet Radius/Chamfer	3 mm
r1	1.1 mm
Dynamic Load Rating	262,000 N
Static Load Rating	278,000 N
Limiting Speed - Grease	2,300 rpm
Limiting Speed - Oil	3,000 rpm
da1 (min)	104 mm
da2 (min)	97 mm
Da1 (max)	176 mm
Da2 (max)	183 mm
ra (max)	2.5 mm
ra1 (max)	1 mm