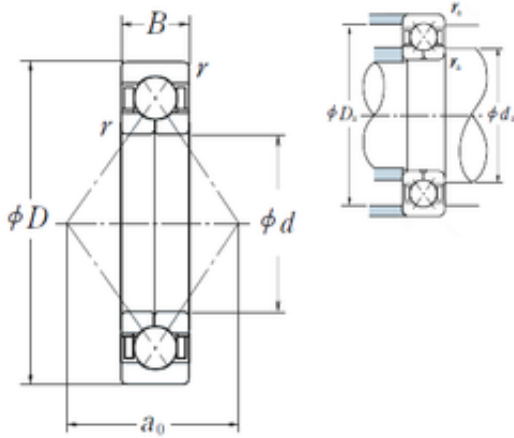




# INA BRAINGS SALES JAPAN CO.,LTD.



65 mm x 140 mm x 33 mm NSK QJ313 angular contact ball bearings

Bearing No. QJ313

QJ313 Bearing 2D drawings and 3D CAD models

Size	65x140x33 mm
Bore Diameter	65 mm
Outer Diameter	140 mm
Width	33 mm
d	65 mm
D	140 mm
B	33 mm
C	33 mm
Angle ( ° )	35 °
a	71,8 mm
r min.	2,1 mm
da min.	77 mm
da max	128 mm
ra max.	2 mm
Weight	2,7 Kg
Basic dynamic load rating (C)	153 kN
Basic static load rating (C0)	250 kN
(Grease) Lubrication Speed	3 800 r/min
SRI	12.38
hidYobi	QJ313
LangID	1
ALP23	0
ALP22	0
D_	140
ALP21	35



## INA BRAINGS SALES JAPAN CO.,LTD.

SREX	0.08
B_	33
hidTable	ecat_NSANGFP
Oil rpm	5300
C0r	25500
SRE	12.38
mass	2.7
GRS rpm	3800
ra	2
SRIX	0.08
D_a	128
Cr	15600
SRIN	0
C0	250
SREN	0
DE_	126.445
Prod_Type3	ACBB_FP_A
da	77
DA_	23.812
Z_	11
yobi	QJ313
ao	71.8
SDM_	102.5
r	2.1
KBRG	7764
DI_	78.522