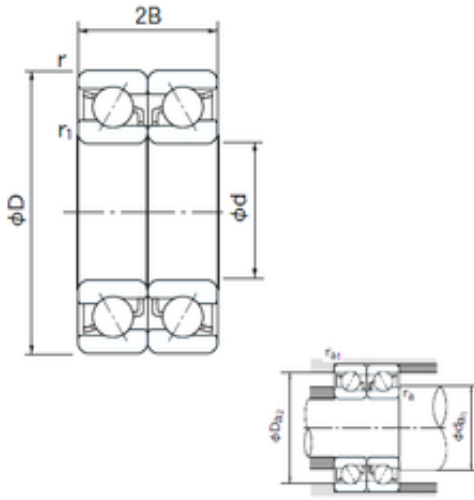




INA BRAINGS SALES JAPAN CO.,LTD.



65 mm x 140 mm x 33 mm NACHI 7313BDB
angular contact ball bearings

Bearing No. 7313BDB

7313BDB Bearing 2D drawings and 3D CAD models

Size	65x140x33 mm
Bore Diameter	65 mm
Outer Diameter	140 mm
Width	33 mm
d	65 mm
D	140 mm
B	33 mm
C	33 mm
Angle (°)	40 °
a	26.6 mm
r min.	2.1 mm
r1 min.	1.1 mm
2B	66 mm
da min.	72 mm
Da max.	133 mm
ra max.	1 mm
Weight	2.22 Kg
Basic dynamic load rating (C)	170 kN
Basic static load rating (C0)	155 kN
(Grease) Lubrication Speed	3200 r/min
Bore Type	Cylindrical Bore
Enclosure	Open
Configuration	Duplex
Bore Size	65 mm
Outside Diameter	140 mm



INA BRAINGS SALES JAPAN CO.,LTD.

Width	33 mm
Fillet Radius/Chamfer	2.1 mm
r1	1.1 mm
Dynamic Load Rating	170,000 N
Static Load Rating	155,000 N
Limiting Speed - Grease	3,200 rpm
Limiting Speed - Oil	4,200 rpm
da1 (min)	77 mm
da2 (min)	72 mm
Da1 (max)	128 mm
Da2 (max)	133 mm
ra (max)	2 mm
ra1 (max)	1 mm