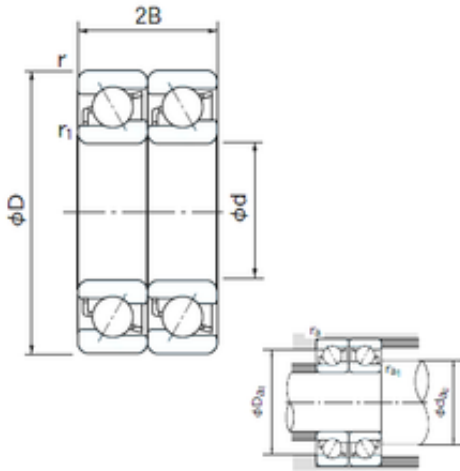




INA BRAINGS SALES JAPAN CO.,LTD.



7313DT Bearing 2D drawings and 3D CAD models

65 mm x 140 mm x 33 mm NACHI 7313DT angular contact ball bearings

Bearing No. 7313DT

Size	65x140x33 mm
Bore Diameter	65 mm
Outer Diameter	140 mm
Width	33 mm
d	65 mm
D	140 mm
B	33 mm
C	33 mm
Angle (°)	30 °
a	13.1 mm
r min.	2.1 mm
r1 min.	1.1 mm
2B	66 mm
da min.	72 mm
Da max.	133 mm
ra max.	1 mm
Weight	2.22 Kg
Basic dynamic load rating (C)	180 kN
Basic static load rating (C0)	165 kN
(Grease) Lubrication Speed	3600 r/min
Bore Type	Cylindrical Bore
Enclosure	Open
Configuration	Duplex
Bore Size	65 mm
Outside Diameter	140 mm



INA BRAINGS SALES JAPAN CO.,LTD.

Width	33 mm
Fillet Radius/Chamfer	2.1 mm
r1	1.1 mm
Dynamic Load Rating	180,000 N
Static Load Rating	165,000 N
Limiting Speed - Grease	3,600 rpm
Limiting Speed - Oil	4,700 rpm
da1 (min)	77 mm
da2 (min)	72 mm
Da1 (max)	128 mm
Da2 (max)	133 mm
ra (max)	2 mm
ra1 (max)	1 mm