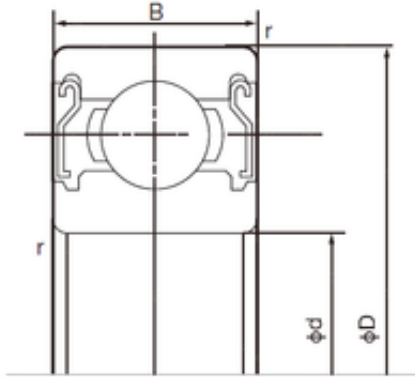




INA BRAINGS SALES JAPAN CO.,LTD.

50 mm x 90 mm x 20 mm NACHI 6210ZZE deep groove ball bearings



Bearing No. 6210ZZE

6210ZZE Bearing 2D drawings and 3D CAD models

Size	50x90x20 mm
Bore Diameter	50 mm
Outer Diameter	90 mm
Width	20 mm
d	50 mm
D	90 mm
B	20 mm
C	20 mm
r min.	1.1 mm
da min.	57 mm
Da max.	83 mm
ra max.	1.0 mm
Weight	0.463 Kg
Basic dynamic load rating (C)	35 kN
Basic static load rating (C0)	23,2 kN
(Grease) Lubrication Speed	7000 r/min
Category	Single Row Ball Bearings
Inventory	0.0
Manufacturer Name	NACHI
Minimum Buy Quantity	N/A
Weight / Kilogram	0
Product Group	B00308
Enclosure	2 Metal Shields
Precision Class	ABEC 1 ISO P0
Maximum Capacity / Filling	No



INA BRAINGS SALES JAPAN CO.,LTD.

Slot	
Rolling Element	Ball Bearing
Snap Ring	No
Internal Special Features	No
Cage Material	Steel
Internal Clearance	C0-Medium
Inch - Metric	Metric
Long Description	50MM Bore; 90MM Outside Diameter; 20MM Outer Race Width; 2 Metal Shields; Ball Bearing; ABEC 1 ISO P0; No Filling Slot; No Snap Ring; No Internal Special Features; C0-Medium Internal Clearance; Stee
Other Features	Deep Groove
Category	Single Row Ball Bearing
UNSPSC	31171504
Harmonized Tariff Code	8482.10.50.68
Noun	Bearing
Keyword String	Ball
Manufacturer URL	http://www.nachiamerica.com
Weight / LBS	1.0747
Bore	1.969 Inch 50 Millimeter
Outer Race Width	0.787 Inch 20 Millimeter
Inner Race Width	0 Inch 0 Millimeter
Outside Diameter	3.543 Inch 90 Millimeter
Bore Type	Cylindrical Bore
Configuration	Single Row
Bore Size	50 mm
Width	20 mm
Fillet Radius/Chamfer	1.1 mm
Dynamic Load Rating	35,000 N



INA BRAINGS SALES JAPAN CO.,LTD.

Static Load Rating	23,200 N
Limiting Speed - Grease	7,100 rpm
Factor f_0	14.4
Radial Clearance	0.006 to 0.023 mm
d_a (min)	57 mm
D_a (max)	83 mm
r_a (max)	1 mm