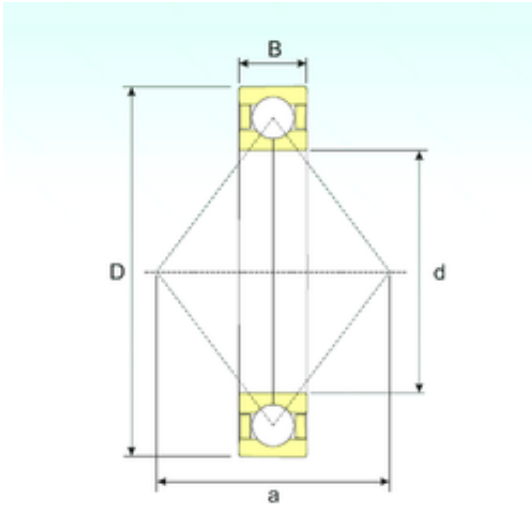




INA BRAINGS SALES JAPAN CO.,LTD.



50 mm x 90 mm x 20 mm ISB QJ 210 N2 M
angular contact ball bearings

Bearing No. QJ 210 N2 M

Size	50x90x20 mm
Bore Diameter	50 mm
Outer Diameter	90 mm
Width	20 mm
d	50 mm
D	90 mm
B	20 mm
C	20 mm
a	49 mm
Weight	0,59 Kg
Basic dynamic load rating (C)	64,2 kN
Basic static load rating (C0)	59 kN
(Grease) Lubrication Speed	9945 r/min

QJ 210 N2 M Bearing 2D drawings and 3D CAD models