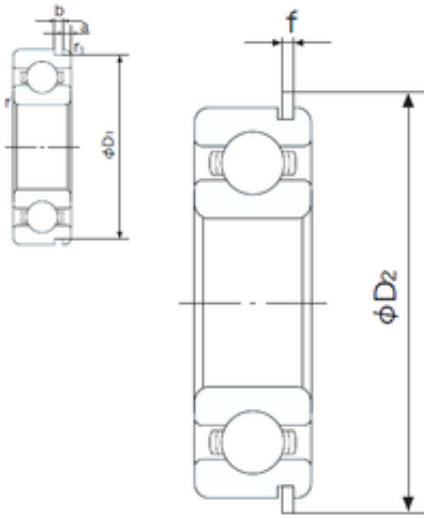




INA BRAINGS SALES JAPAN CO.,LTD.



50 mm x 90 mm x 20 mm NACHI 6210NR deep groove ball bearings

Bearing No. 6210NR

6210NR Bearing 2D drawings and 3D CAD models

Size	50x90x20 mm
Bore Diameter	50 mm
Outer Diameter	90 mm
Width	20 mm
d	50 mm
D	90 mm
B	20 mm
C	20 mm
a	3.28 mm
b	2.7 mm
f	2.46 mm
r min.	1.1 mm
r1 min.	0.5 mm
D1	86.79 mm
D2	96.5 mm
Weight	0.463 Kg
Basic dynamic load rating (C)	35 kN
Basic static load rating (C0)	23,2 kN
(Grease) Lubrication Speed	7000 r/min
Category	Single Row Ball Bearings
Inventory	3.0
Manufacturer Name	NACHI
Minimum Buy Quantity	N/A
Weight / Kilogram	0
EAN	4991893723069



INA BRAINGS SALES JAPAN CO.,LTD.

Product Group	B00308
Enclosure	Open
Precision Class	ABEC 1 ISO P0
Maximum Capacity / Filling Slot	No
Rolling Element	Ball Bearing
Snap Ring	Yes
Internal Special Features	No
Cage Material	Steel
Internal Clearance	C0-Medium
Inch - Metric	Metric
Long Description	50MM Bore; 90MM Outside Diameter; 20MM Outer Race Width; Open; Ball Bearing; ABEC 1 ISO P0; No Filling Slot; Yes Snap Ring; No Internal Special Features; C0-Medium Internal Clearance; Steel Cage
Other Features	Deep Groove With Snap Ring
Category	Single Row Ball Bearing
UNSPSC	31171504
Harmonized Tariff Code	8482.10.50.68
Noun	Bearing
Keyword String	Ball
Manufacturer URL	http://www.nachi-america.com
Manufacturer Item Number	6210NRBNLM
Weight / LBS	1.0229
Inner Race Width	0 Inch 0 Millimeter
Bore	1.969 Inch 50 Millimeter
Outer Race Width	0.787 Inch 20 Millimeter
Outside Diameter	3.543 Inch 90 Millimeter
Bore Type	Cylindrical Bore



INA BRAINGS SALES JAPAN CO.,LTD.

Configuration	Single Row
Bore Size	50 mm
Width	20 mm
Fillet Radius/Chamfer	1.1 mm
r1	0.5 mm
Snap Ring Width	2.5 mm
Snap Ring Outside Diameter	96.5 mm
D1 (max)	86.8 mm
a (max)	3.3 mm
b (min)	2.7 mm
Dynamic Load Rating	35,000 N
Static Load Rating	23,200 N
Limiting Speed - Grease	7,100 rpm
Limiting Speed - Oil	8,600 rpm
Factor fo	14.4
Radial Clearance	0.006 to 0.023 mm
da (min)	57 mm
Da (max)	83 mm
Dx (min)	98 mm
ra (max)	1 mm
Cy (max)	5.4 mm