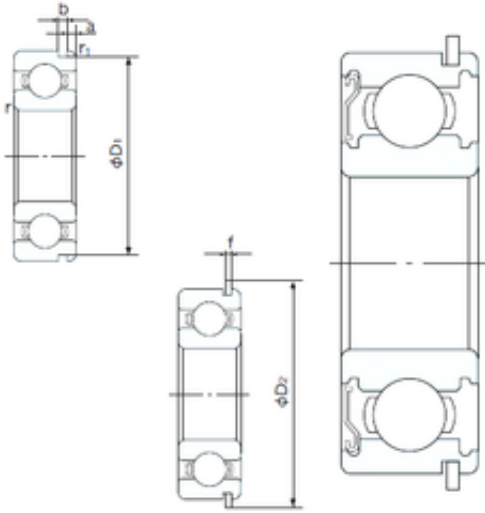




INA BRAINGS SALES JAPAN CO.,LTD.



50 mm x 80 mm x 16 mm NACHI 6010ZENR deep groove ball bearings

Bearing No. 6010ZENR

6010ZENR Bearing 2D drawings and 3D CAD models

Size	50x80x16 mm
Bore Diameter	50 mm
Outer Diameter	80 mm
Width	16 mm
d	50 mm
D	80 mm
B	16 mm
C	16 mm
a	2.49 mm
b	1.9 mm
f	1.7 mm
r min.	1 mm
r1 min.	0.5 mm
D1	76.81 mm
D2	86.6 mm
Weight	0.252 Kg
Basic dynamic load rating (C)	21,8 kN
Basic static load rating (C0)	16,6 kN
(Grease) Lubrication Speed	8300 r/min
Category	Single Row Ball Bearings
Inventory	0.0
Manufacturer Name	NACHI
Minimum Buy Quantity	N/A
Weight / Kilogram	0
Product Group	B00308



INA BRAINGS SALES JAPAN CO.,LTD.

Enclosure	1 Metal Shield
Precision Class	ABEC 1 ISO P0
Maximum Capacity / Filling Slot	No
Rolling Element	Ball Bearing
Snap Ring	Yes
Internal Special Features	No
Cage Material	Steel
Internal Clearance	C0-Medium
Inch - Metric	Metric
Long Description	50MM Bore; 80MM Outside Diameter; 16MM Outer Race Width; 1 Metal Shield; Ball Bearing; ABEC 1 ISO P0; No Filling Slot; Yes Snap Ring; No Internal Special Features; C0-Medium Internal Clearance; Stee
Other Features	Deep Groove With Snap Ring
Category	Single Row Ball Bearing
UNSPSC	31171504
Harmonized Tariff Code	8482.10.50.68
Noun	Bearing
Keyword String	Ball
Manufacturer URL	http://www.nachi-america.com
Bore	1.969 Inch 50 Millimeter
Inner Race Width	0 Inch 0 Millimeter
Outside Diameter	3.15 Inch 80 Millimeter
Outer Race Width	0.63 Inch 16 Millimeter
Bore Type	Cylindrical Bore
Configuration	Single Row
Bore Size	50 mm
Width	16 mm



INA BRAINGS SALES JAPAN CO.,LTD.

Fillet Radius/Chamfer	1 mm
r1	0.5 mm
Snap Ring Width	1.7 mm
Snap Ring Outside Diameter	86.6 mm
D1 (max)	76.8 mm
a (max)	2.5 mm
b (min)	1.9 mm
Dynamic Load Rating	21,800 N
Static Load Rating	16,600 N
Limiting Speed - Grease	8,500 rpm
Limiting Speed - Oil	10,000 rpm
Factor fo	15.6
Radial Clearance	0.006 to 0.023 mm
da (min)	55 mm
Da (max)	75 mm
Dx (min)	88 mm
ra (max)	1 mm
Cy (max)	3.8 mm