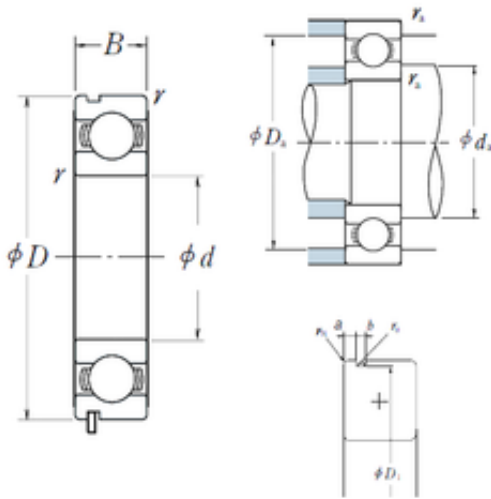




INA BRAINGS SALES JAPAN CO.,LTD.



50 mm x 80 mm x 16 mm NSK 6010N deep groove ball bearings

Bearing No. 6010N

6010N Bearing 2D drawings and 3D CAD models

Size	50x80x16 mm
Bore Diameter	50 mm
Outer Diameter	80 mm
Width	16 mm
d	50 mm
D	80 mm
B	16 mm
C	16 mm
rn	0,5 mm
a	2,49 mm
b	1,9 mm
r min.	1 mm
r0 max.	0,6 mm
D1	76,81 mm
da min.	55 mm
da max	58,5 mm
Da max.	75 mm
ra max.	1 mm
Weight	0,261 Kg
Basic dynamic load rating (C)	21,8 kN
Basic static load rating (C0)	16,6 kN
(Grease) Lubrication Speed	8 500 r/min
(Oil) Lubrication Speed	10 000 r/min
SRI	4.52
hidYobi	6010N



INA BRAINGS SALES JAPAN CO.,LTD.

LangID	1
ro	0.6
D_	80
SREX	0.02
B_	16
da min	55
hidTable	ecat_NSRDGB
Oil rpm	10000
SRE	4.52
mass	0.261
GRS rpm	8500
ra	1
SRIX	0.02
D_a	75
SRIN	-0.02
C0	16.6
fo	15.6
SREN	-0.02
DE_	74.731
Prod_Type3	DGBB_SR_N_OT
DA_	8.731
bomp	0
Z_	14
yobi	6010N
C_conv	21800
ALPHA_	0
SDM_	66
r	1
KBRG	6101
SBRG	10
DI_	57.269