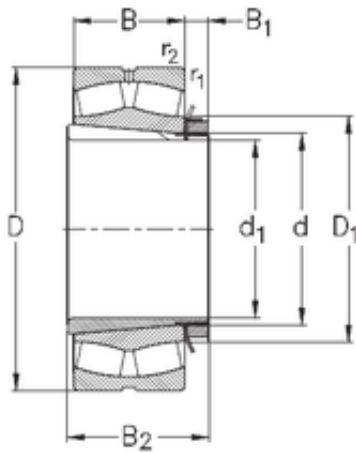




INA BRAINGS SALES JAPAN CO.,LTD.



40 mm x 80 mm x 23 mm NKE 22208-E-K-W33+H308 spherical roller bearings

Bearing No. 22208-E-K-W33+H308

22208-E-K-W33+H308 Bearing 2D drawings and 3D CAD models

Size	40x80x23 mm
Bore Diameter	40 mm
Outer Diameter	80 mm
Width	23 mm
d	40 mm
d1	35 mm
D	80 mm
B	23 mm
C	23 mm
r1 min.	1,1 mm
r2 min.	1,1 mm
B1	11 mm
B2	36 mm
D1	58 mm
Weight	0,66 Kg
Basic dynamic load rating (C)	93 kN
Basic static load rating (C0)	105 kN
Limiting speed	8000 r/min
Calculation factor (e)	0,27
Calculation factor (Y0)	2,4
Calculation factor (Y1)	2,5