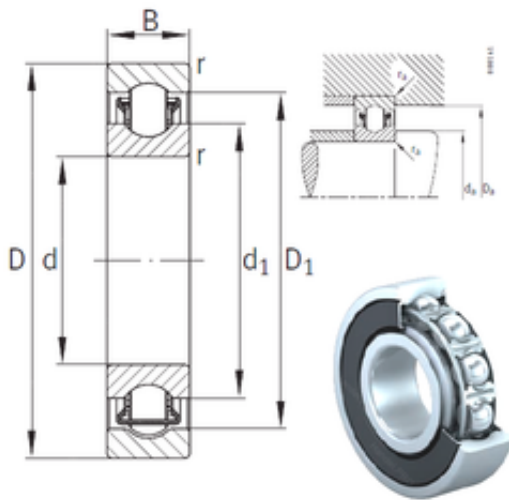




# INA BRAINGS SALES JAPAN CO.,LTD.

## 17 mm x 40 mm x 12 mm INA BXRE203-2HRS needle roller bearings

Bearing No. BXRE203-2HRS



BXRE203-2HRS Bearing 2D drawings and 3D CAD models

Size	17x40x12 mm
Bore Diameter	17 mm
Outer Diameter	40 mm
Width	12 mm
d	17 mm
D	40 mm
B	12 mm
C	12 mm
d1	24,9 mm
r min.	0,6 mm
D1	33,2 mm
da min.	21,2 mm
Da max.	35,8 mm
ra max.	0,6 mm
Weight	0,067 Kg
Basic dynamic load rating (C)	14,9 kN
Basic static load rating (C0)	8,5 kN
Fatigue load limit (Pu)	430