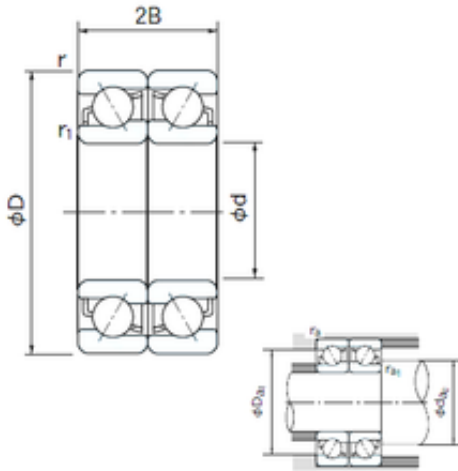




# INA BRAINGS SALES JAPAN CO.,LTD.



17 mm x 40 mm x 12 mm NACHI 7203DF  
angular contact ball bearings

Bearing No. 7203DF

7203DF Bearing 2D drawings and 3D CAD models

Size	17x40x12 mm
Bore Diameter	17 mm
Outer Diameter	40 mm
Width	12 mm
d	17 mm
D	40 mm
B	12 mm
C	12 mm
Angle ( ° )	30 °
a	2.2 mm
r min.	0.6 mm
r1 min.	0.3 mm
2B	24 mm
da min.	19 mm
Da max.	37.4 mm
ra max.	0.3 mm
Weight	0.070 Kg
Basic dynamic load rating (C)	19,4 kN
Basic static load rating (C0)	13,2 kN
(Grease) Lubrication Speed	13000 r/min
Bore Type	Cylindrical Bore
Enclosure	Open
Configuration	Duplex
Bore Size	17 mm
Outside Diameter	40 mm



## INA BRAINGS SALES JAPAN CO.,LTD.

Width	12 mm
Fillet Radius/Chamfer	0.6 mm
r1	0.3 mm
Dynamic Load Rating	19,400 N
Static Load Rating	13,200 N
Limiting Speed - Grease	13,000 rpm
Limiting Speed - Oil	17,000 rpm
da1 (min)	22 mm
da2 (min)	19 mm
Da1 (max)	35 mm
Da2 (max)	37.4 mm
ra (max)	0.6 mm
ra1 (max)	0.3 mm