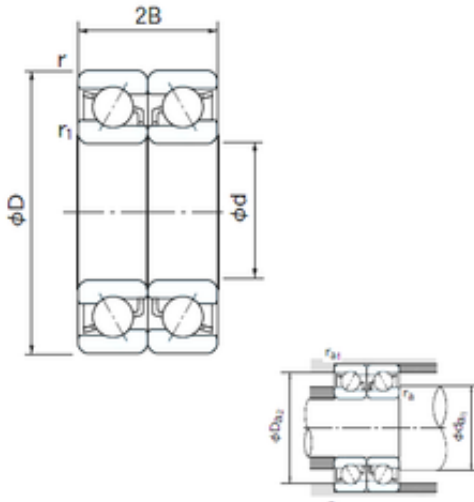




# INA BRAINGS SALES JAPAN CO.,LTD.



7203DB Bearing 2D drawings and 3D CAD models

17 mm x 40 mm x 12 mm NACHI 7203DB  
angular contact ball bearings

Bearing No. 7203DB

|                               |                  |
|-------------------------------|------------------|
| Size                          | 17x40x12 mm      |
| Bore Diameter                 | 17 mm            |
| Outer Diameter                | 40 mm            |
| Width                         | 12 mm            |
| d                             | 17 mm            |
| D                             | 40 mm            |
| B                             | 12 mm            |
| C                             | 12 mm            |
| Angle ( ° )                   | 30 °             |
| a                             | 2.2 mm           |
| r min.                        | 0.6 mm           |
| r1 min.                       | 0.3 mm           |
| 2B                            | 24 mm            |
| da min.                       | 19 mm            |
| Da max.                       | 37.4 mm          |
| ra max.                       | 0.3 mm           |
| Weight                        | 0.070 Kg         |
| Basic dynamic load rating (C) | 19,4 kN          |
| Basic static load rating (C0) | 13,2 kN          |
| (Grease) Lubrication Speed    | 13000 r/min      |
| Bore Type                     | Cylindrical Bore |
| Enclosure                     | Open             |
| Configuration                 | Duplex           |
| Bore Size                     | 17 mm            |
| Outside Diameter              | 40 mm            |



## INA BRAINGS SALES JAPAN CO.,LTD.

|                         |            |
|-------------------------|------------|
| Width                   | 12 mm      |
| Fillet Radius/Chamfer   | 0.6 mm     |
| r1                      | 0.3 mm     |
| Dynamic Load Rating     | 19,400 N   |
| Static Load Rating      | 13,200 N   |
| Limiting Speed - Grease | 13,000 rpm |
| Limiting Speed - Oil    | 17,000 rpm |
| da1 (min)               | 22 mm      |
| da2 (min)               | 19 mm      |
| Da1 (max)               | 35 mm      |
| Da2 (max)               | 37.4 mm    |
| ra (max)                | 0.6 mm     |
| ra1 (max)               | 0.3 mm     |