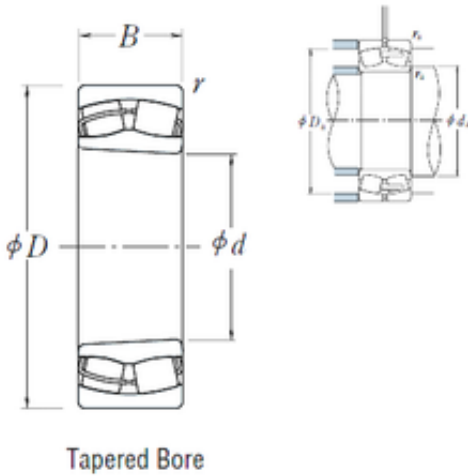




INA BRAINGS SALES JAPAN CO.,LTD.



150 mm x 225 mm x 56 mm NSK 23030CDKE4 spherical roller bearings

Bearing No. 23030CDKE4

23030CDKE4 Bearing 2D drawings and 3D CAD models

Size	150x225x56 mm
Bore Diameter	150 mm
Outer Diameter	225 mm
Width	56 mm
d	150 mm
D	225 mm
B	56 mm
C	56 mm
r min.	2,1 mm
da min.	162 mm
da max	168 mm
Da min	203 mm
Da max.	213 mm
ra max.	2 mm
Weight	7,9 Kg
Basic dynamic load rating (C)	470 kN
Basic static load rating (C0)	815 kN
(Grease) Lubrication Speed	1400 r/min
(Oil) Lubrication Speed	1800 r/min
Calculation factor (e)	0,22
Calculation factor (Y0)	3
Calculation factor (Y2)	4,6
Category	Spherical Roller Bearings
Inventory	0.0
Manufacturer Name	NSK



INA BRAINGS SALES JAPAN CO.,LTD.

Minimum Buy Quantity	N/A
Weight / Kilogram	7.75
EAN	0029176008801
Product Group	B04311
Internal Clearance	C0-Medium
Mounting Method	Adapter Mount
Rolling Element	Spherical Roller Bearing
Bore Profile	Tapered
Cage Material	Steel
Enclosure	Open
Number of Rows of Rollers	Double Row
Relubricatable	Yes
Withdrawal Sleeve	AHX3030 (Specify bore)
Inch - Metric	Metric
Long Description	150MM Tapered Bore; 225MM Outside Diameter; 56MM Width; C0-Medium Clearance; Adapter Mount; Double Row of Spherical Roller Bearings; Steel Cage Material; Open Enclosure; Relubricatable; Adapter Part N
Other Features	Order adapter or withdrawal sleeve or nut separately. Others may be available
Category	Spherical Roller Bearing
UNSPSC	31171510
Harmonized Tariff Code	84823080
Noun	Bearing
Keyword String	Spherical
Manufacturer URL	http://www.nskamericas.com
Manufacturer Item Number	23030CDKE4
Weight / LBS	7.75



INA BRAINGS SALES JAPAN CO.,LTD.

Adapter Part Number	SNW3030 H3030 HA3030 HE3030 (Specify Bore) Inch H3030 (Specify bore) Millimeter
Bore	5.906 Inch 150 Millimeter
Outside Diameter	8.858 Inch 225 Millimeter
Width	2.205 Inch 56 Millimeter
bore diameter:	150 mm
outer ring type:	Not Split
outside diameter:	225 mm
internal clearance:	C0
overall width:	56 mm
lubrication hole type:	Oil Grooves And Holes In Outer Ring
bore type:	Tapered 1:12
cage material:	Polyamide
Y3	3.1
hidYobi	23030CDKE4
LangID	1
Y1	3
D_	225
Y2	4.6
Macha rpm	0
B_	56
da min	162
hidTable	ecat_NSSPHR
Oil rpm	1800
Y0	3
mass	7.9
GRS rpm	1400
ra	2
TSR rpm	2600
C0	815



INA BRAINGS SALES JAPAN CO.,LTD.

DE_	207.783
X0	1
Prod_Type3	SRB_CTB_TB
X1	1
X2	0.67
SIR	22
e	0.22
DA_	18.5
bomp	23030CDKE4
Z_	27
ALP2	20
ALP1	8
ALP3	0
D_a max	213
D_a min	203
yobi	23030CDKE4
ALPHA_	0.145
SDM_	189.478
r	2.1
KBRG	2321
SBRG	30
DI_	171.173