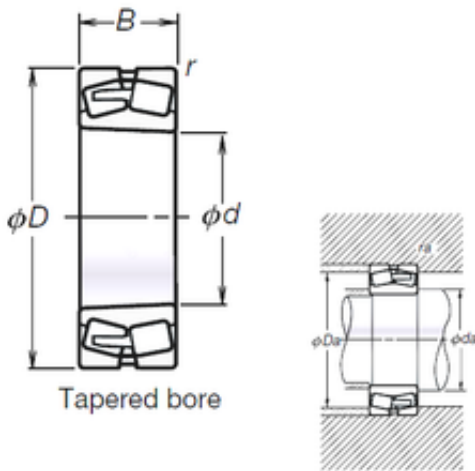




INA BRAINGS SALES JAPAN CO.,LTD.



150 mm x 225 mm x 56 mm NSK
TL23030CDKE4 spherical roller bearings

Bearing No. TL23030CDKE4

Size	150x225x56 mm
Bore Diameter	150 mm
Outer Diameter	225 mm
Width	56 mm
d	150 mm
D	225 mm
B	56 mm
C	56 mm
r min.	2,1 mm
da min.	162 mm
da max	168 mm
Da min	213 mm
Da max.	203 mm
ra max.	2 mm
Weight	7,9 Kg
Basic dynamic load rating (C)	470 kN
Basic static load rating (C0)	815 kN
(Grease) Lubrication Speed	1 400 r/min
(Oil) Lubrication Speed	1 800 r/min
Calculation factor (e)	0,22
Calculation factor (Y0)	3
Calculation factor (Y2)	4,6

TL23030CDKE4 Bearing 2D drawings and 3D CAD models