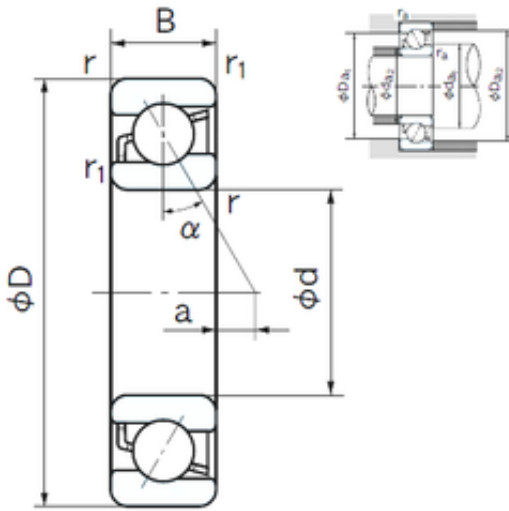




INA BRAINGS SALES JAPAN CO.,LTD.



130 mm x 230 mm x 40 mm NACHI 7226
angular contact ball bearings

Bearing No. 7226

7226 Bearing 2D drawings and 3D CAD models

Size	130x230x40 mm
Bore Diameter	130 mm
Outer Diameter	230 mm
Width	40 mm
d	130 mm
D	230 mm
B	40 mm
C	40 mm
Angle (°)	30 °
a	32 mm
r min.	3 mm
r1 min.	1.1 mm
da min.	144 mm
Da max.	216 mm
ra max.	2.5 mm
Weight	6.88 Kg
Basic dynamic load rating (C)	196 kN
Basic static load rating (C0)	198 kN
(Grease) Lubrication Speed	2400 r/min
Configuration	Single Row
Enclosure	Open
Bore Type	Cylindrical Bore
Bore Size	130 mm
Outside Diameter	230 mm
Width	40 mm



INA BRAINGS SALES JAPAN CO.,LTD.

Fillet Radius/Chamfer	3 mm
r1	1.1 mm
Dynamic Load Rating	196,000 N
Static Load Rating	198,000 N
Limiting Speed - Grease	2,400 rpm
Limiting Speed - Oil	3,100 rpm
da1 (min)	144 mm
da2 (min)	137 mm
Da1 (max)	216 mm
Da2 (max)	223 mm
ra (max)	2.5 mm
ra1 (max)	1 mm