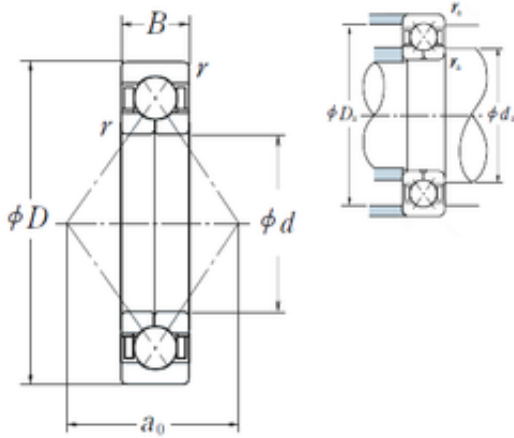




INA BRAINGS SALES JAPAN CO.,LTD.



130 mm x 230 mm x 40 mm NSK QJ 226
angular contact ball bearings

Bearing No. QJ 226

Size	130x230x40 mm
Bore Diameter	130 mm
Outer Diameter	230 mm
Width	40 mm
d	130 mm
D	230 mm
B	40 mm
C	40 mm
Angle ()	35 °
a	126 mm
r min.	3 mm
da min.	144 mm
da max	216 mm
ra max.	2,5 mm
Weight	7,7 Kg
Basic dynamic load rating (C)	274 kN
Basic static load rating (C0)	635 kN
(Grease) Lubrication Speed	2 200 r/min

QJ 226 Bearing 2D drawings and 3D CAD models