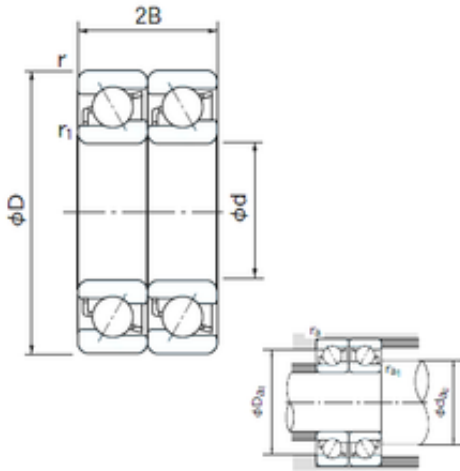




INA BRAINGS SALES JAPAN CO.,LTD.



130 mm x 230 mm x 40 mm NACHI 7226BDT angular contact ball bearings

Bearing No. 7226BDT

7226BDT Bearing 2D drawings and 3D CAD models

| | |
|-------------------------------|------------------|
| Size | 130x230x40 mm |
| Bore Diameter | 130 mm |
| Outer Diameter | 230 mm |
| Width | 40 mm |
| d | 130 mm |
| D | 230 mm |
| B | 40 mm |
| C | 40 mm |
| Angle (°) | 40 ° |
| a | 55.5 mm |
| r min. | 3 mm |
| r1 min. | 1.1 mm |
| 2B | 80 mm |
| da min. | 137 mm |
| Da max. | 223 mm |
| ra max. | 1 mm |
| Weight | 6.88 Kg |
| Basic dynamic load rating (C) | 298 kN |
| Basic static load rating (C0) | 370 kN |
| (Grease) Lubrication Speed | 1700 r/min |
| Bore Type | Cylindrical Bore |
| Enclosure | Open |
| Configuration | Duplex |
| Bore Size | 130 mm |
| Outside Diameter | 230 mm |



INA BRAINGS SALES JAPAN CO.,LTD.

| | |
|-------------------------|-----------|
| Width | 40 mm |
| Fillet Radius/Chamfer | 3 mm |
| r1 | 1.1 mm |
| Dynamic Load Rating | 298,000 N |
| Static Load Rating | 370,000 N |
| Limiting Speed - Grease | 1,700 rpm |
| Limiting Speed - Oil | 2,300 rpm |
| da1 (min) | 144 mm |
| da2 (min) | 137 mm |
| Da1 (max) | 216 mm |
| Da2 (max) | 223 mm |
| ra (max) | 2.5 mm |
| ra1 (max) | 1 mm |