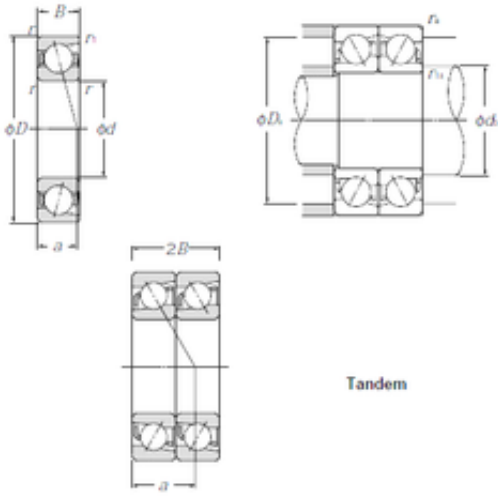




INA BRAINGS SALES JAPAN CO.,LTD.



130 mm x 230 mm x 40 mm CYSD 7226DT
angular contact ball bearings

Bearing No. 7226DT

Size	130x230x40 mm
Bore Diameter	130 mm
Outer Diameter	230 mm
Width	40 mm
d	130 mm
D	230 mm
B	40 mm
C	40 mm
Angle (°)	25 °
r min.	3 mm
2B	80 mm
Weight	14,3 Kg
Basic dynamic load rating (C)	320 kN
Basic static load rating (C0)	395 kN
(Grease) Lubrication Speed	2400 r/min

7226DT Bearing 2D drawings and 3D CAD models