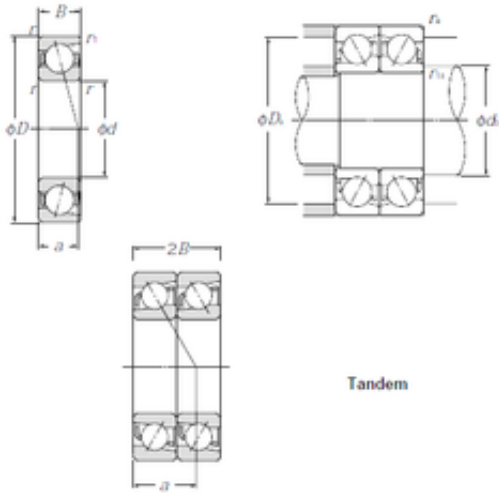




# INA BRAINGS SALES JAPAN CO.,LTD.



130 mm x 230 mm x 40 mm NTN 7226DT  
angular contact ball bearings

Bearing No. 7226DT

Size	130x230x40 mm
Bore Diameter	130 mm
Outer Diameter	230 mm
Width	40 mm
d	130 mm
D	230 mm
B	40 mm
ra1 max.	1 mm
Angle ( ° )	25 °
a	72 mm
r min.	3 mm
r1 min.	1,1 mm
2B	80 mm
da min.	144 mm
Da max.	216 mm
ra max.	2,5 mm
Db max	223 mm
Weight	14,3 Kg
Basic dynamic load rating (C)	320 kN
Basic static load rating (C0)	395 kN
(Grease) Lubrication Speed	2 400 r/min

7226DT Bearing 2D drawings and 3D CAD models