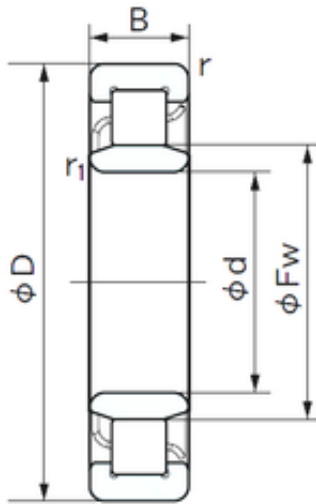




INA BRAINGS SALES JAPAN CO.,LTD.



130 mm x 230 mm x 40 mm NACHI NU 226 cylindrical roller bearings

Bearing No. NU 226

Size	130x230x40 mm
Bore Diameter	130 mm
Outer Diameter	230 mm
Width	40 mm
d	130 mm
Fw	156 mm
D	230 mm
B	40 mm
r min.	3 mm
r1 min.	3 mm
Weight	7.60 Kg
Basic dynamic load rating (C)	270 kN
Basic static load rating (C0)	340 kN
(Grease) Lubrication Speed	2600 r/min

NU 226 Bearing 2D drawings and 3D CAD models