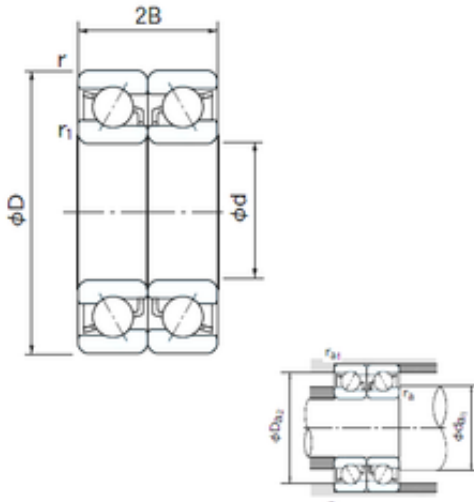




# INA BRAINGS SALES JAPAN CO.,LTD.



7226DB Bearing 2D drawings and 3D CAD models

130 mm x 230 mm x 40 mm NACHI 7226DB  
angular contact ball bearings

Bearing No. 7226DB

Size	130x230x40 mm
Bore Diameter	130 mm
Outer Diameter	230 mm
Width	40 mm
d	130 mm
D	230 mm
B	40 mm
C	40 mm
Angle ( ° )	30 °
a	32 mm
r min.	3 mm
r1 min.	1.1 mm
2B	80 mm
da min.	137 mm
Da max.	223 mm
ra max.	1 mm
Weight	6.88 Kg
Basic dynamic load rating (C)	320 kN
Basic static load rating (C0)	395 kN
(Grease) Lubrication Speed	1900 r/min
Bore Type	Cylindrical Bore
Enclosure	Open
Configuration	Duplex
Bore Size	130 mm
Outside Diameter	230 mm



## INA BRAINGS SALES JAPAN CO.,LTD.

Width	40 mm
Fillet Radius/Chamfer	3 mm
r1	1.1 mm
Dynamic Load Rating	320,000 N
Static Load Rating	395,000 N
Limiting Speed - Grease	1,900 rpm
Limiting Speed - Oil	2,500 rpm
da1 (min)	144 mm
da2 (min)	137 mm
Da1 (max)	216 mm
Da2 (max)	223 mm
ra (max)	2.5 mm
ra1 (max)	1 mm