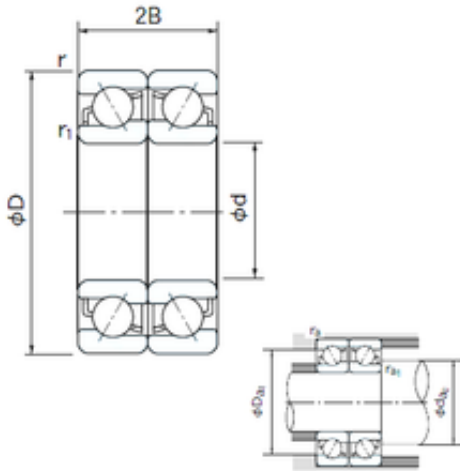




INA BRAINGS SALES JAPAN CO.,LTD.



130 mm x 230 mm x 40 mm NACHI 7226BDF
angular contact ball bearings

Bearing No. 7226BDF

7226BDF Bearing 2D drawings and 3D CAD models

Size	130x230x40 mm
Bore Diameter	130 mm
Outer Diameter	230 mm
Width	40 mm
d	130 mm
D	230 mm
B	40 mm
C	40 mm
Angle (°)	40 °
a	55.5 mm
r min.	3 mm
r1 min.	1.1 mm
2B	80 mm
da min.	137 mm
Da max.	223 mm
ra max.	1 mm
Weight	6.88 Kg
Basic dynamic load rating (C)	298 kN
Basic static load rating (C0)	370 kN
(Grease) Lubrication Speed	1700 r/min
Bore Type	Cylindrical Bore
Enclosure	Open
Configuration	Duplex
Bore Size	130 mm
Outside Diameter	230 mm



INA BRAINGS SALES JAPAN CO.,LTD.

Width	40 mm
Fillet Radius/Chamfer	3 mm
r1	1.1 mm
Dynamic Load Rating	298,000 N
Static Load Rating	370,000 N
Limiting Speed - Grease	1,700 rpm
Limiting Speed - Oil	2,300 rpm
da1 (min)	144 mm
da2 (min)	137 mm
Da1 (max)	216 mm
Da2 (max)	223 mm
ra (max)	2.5 mm
ra1 (max)	1 mm