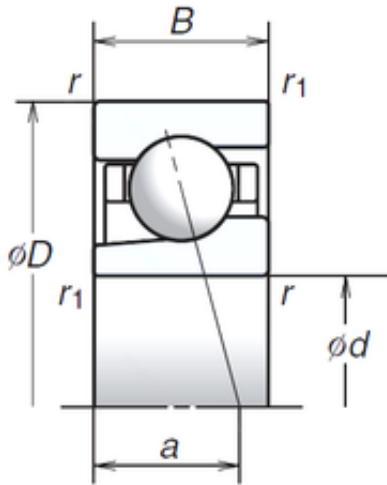




INA BRAINGS SALES JAPAN CO.,LTD.



10 mm x 22 mm x 6 mm NSK 10BGR19S
angular contact ball bearings

Bearing No. 10BGR19S

Size	10x22x6 mm
Bore Diameter	10 mm
Outer Diameter	22 mm
Width	6 mm
d	10 mm
D	22 mm
B	6 mm
C	6 mm
Angle (°)	15 °
a	5,1 mm
r min.	0,3 mm
r1 min.	0,15 mm
Weight	0,01 Kg
Basic dynamic load rating (C)	2,03 kN
Basic static load rating (C0)	0,78 kN
(Grease) Lubrication Speed	100 000 r/min
(Oil) Lubrication Speed	138 000 r/min

10BGR19S Bearing 2D drawings and 3D CAD models