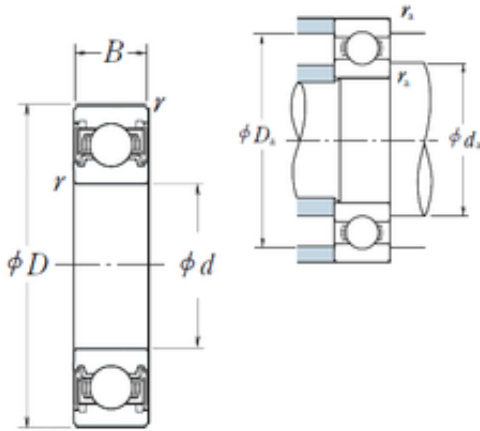




INA BRAINGS SALES JAPAN CO.,LTD.



10 mm x 22 mm x 6 mm NSK 6900VV deep groove ball bearings

Bearing No. 6900VV

6900VV Bearing 2D drawings and 3D CAD models

| | |
|-------------------------------|--------------------------|
| Size | 10x22x6 mm |
| Bore Diameter | 10 mm |
| Outer Diameter | 22 mm |
| Width | 6 mm |
| d | 10 mm |
| D | 22 mm |
| B | 6 mm |
| C | 6 mm |
| r min. | 0,3 mm |
| da min. | 12 mm |
| da max | 12,5 mm |
| Da max. | 20 mm |
| ra max. | 0,3 mm |
| Weight | 0,009 Kg |
| Basic dynamic load rating (C) | 2,7 kN |
| Basic static load rating (C0) | 1,27 kN |
| (Grease) Lubrication Speed | 32 000 r/min |
| Category | Single Row Ball Bearings |
| Inventory | 5.0 |
| Manufacturer Name | NSK |
| Minimum Buy Quantity | N/A |
| Weight / Kilogram | 0.01 |
| Product Group | B00308 |
| Enclosure | 2 Seals |
| Precision Class | ABEC 1 ISO P0 |



INA BRAINGS SALES JAPAN CO.,LTD.

| | |
|---------------------------------|--|
| Maximum Capacity / Filling Slot | No |
| Rolling Element | Ball Bearing |
| Snap Ring | No |
| Internal Special Features | No |
| Cage Material | Steel |
| Enclosure Type | Non-Contact Seal |
| Internal Clearance | C0-Medium |
| Inch - Metric | Metric |
| Long Description | 10MM Bore; 22MM Outside Diameter; 6MM Outer Race Diameter; 2 Seals; Ball Bearing; ABEC 1 ISO P0; No Filling Slot; No Snap Ring; No Internal Special Features |
| Category | Single Row Ball Bearing |
| UNSPSC | 31171504 |
| Harmonized Tariff Code | 8482.10.50.68 |
| Noun | Bearing |
| Keyword String | Ball |
| Manufacturer URL | http://www.nskamericas.com |
| Manufacturer Item Number | 6900VV |
| Weight / LBS | 0.009 |
| Outside Diameter | 0.866 Inch 22 Millimeter |
| Outer Race Width | 0.236 Inch 6 Millimeter |
| Bore | 0.394 Inch 10 Millimeter |
| SRI | 1.64 |
| hidYobi | 6900VV |
| LangID | 1 |
| D_ | 22 |
| SREX | 0.015 |
| B_ | 6 |
| da min | 12 |



INA BRAINGS SALES JAPAN CO.,LTD.

| | |
|------------|-------------|
| hidTable | ecat_NSRDGB |
| SRE | 1.64 |
| mass | 0.009 |
| GRS rpm | 32000 |
| ra | 0.3 |
| SRIX | 0.015 |
| D_a | 20 |
| SRIN | -0.015 |
| C0 | 1.27 |
| fo | 14 |
| SREN | -0.015 |
| DE_ | 19.175 |
| Prod_Type3 | DGBB_SR_VV |
| DA_ | 3.175 |
| bomp | 0 |
| Z_ | 9 |
| yobi | 6900VV |
| C_conv | 2700 |
| ALPHA_ | 0 |
| SDM_ | 16 |
| r | 0.3 |
| KBRG | 6151 |
| SBRG | 19 |
| DI_ | 12.825 |