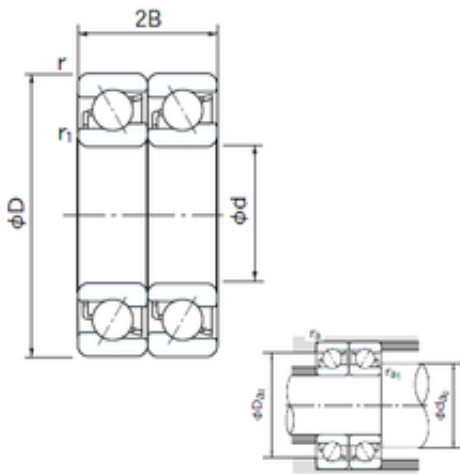




# INA BRAINGS SALES JAPAN CO.,LTD.



7020DT Bearing 2D drawings and 3D CAD models

100 mm x 150 mm x 24 mm NACHI 7020DT  
angular contact ball bearings

Bearing No. 7020DT

Size	100x150x24 mm
Bore Diameter	100 mm
Outer Diameter	150 mm
Width	24 mm
d	100 mm
D	150 mm
B	24 mm
C	24 mm
Angle ( ° )	30 °
a	24.1 mm
r min.	1.5 mm
r1 min.	1 mm
2B	48 mm
da min.	107 mm
Da max.	145.6 mm
ra max.	1 mm
Weight	1.37 Kg
Basic dynamic load rating (C)	111 kN
Basic static load rating (C0)	141 kN
(Grease) Lubrication Speed	2800 r/min
Bore Type	Cylindrical Bore
Enclosure	Open
Configuration	Duplex
Bore Size	100 mm
Outside Diameter	150 mm



## INA BRAINGS SALES JAPAN CO.,LTD.

Width	24 mm
Fillet Radius/Chamfer	1.5 mm
r1	1 mm
Dynamic Load Rating	111,000 N
Static Load Rating	141,000 N
Limiting Speed - Grease	2,800 rpm
Limiting Speed - Oil	3,800 rpm
da1 (min)	107 mm
da2 (min)	107 mm
Da1 (max)	143 mm
Da2 (max)	145.6 mm
ra (max)	1.5 mm
ra1 (max)	1 mm